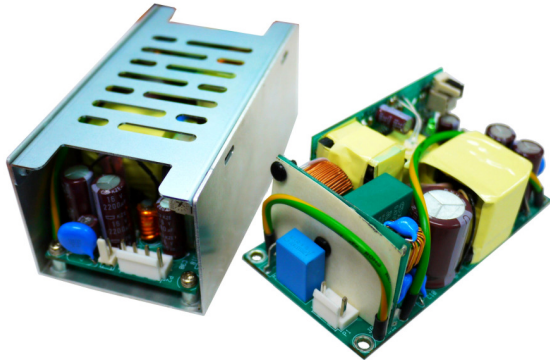


HiTRON

**Universal input AC-DC Medical and ITE application open frame
internal switching convection-cooled power supplies
100 Watts green power single output HICM100G series**



Features

- 4x2 inch Compact size
- Convection cooling
- Up to 90% high efficiency
- -20 °C to +70 °C wide operating temperature
- PCB and Box format optional
- Medical and ITE application
- Class I and Class II applications



Specification

Input

Input Voltage	90-264VAC
Input Frequency	47-63Hz
Input Current	Typical 0.97A at 115VAC Typical 0.52A at 230VAC
Inrush Current	Typical 15A rms at 230VAC
Power Factor	Typical 0.92 at 230VAC
Input Connector	V-H connector or equivalent
Earth Leakage Current	Less than 0.3mA
Enclosure Leakage	Less than 0.1mA
No-load Power	Less than 0.6W

Output

Output Connector	V-H connector or equivalent
Line Regulation	Typical 0.1%
Load Regulation	Typical ±1%
Total Regulation	Typical ±3%
Noise & Ripple	Typical 1% peak to peak
Adjustability	Available
Hold-up Time	Typical 17.5mS at 115/230VAC

Protection

Over Voltage	Built-in (Latch)
Over Current	Built-in
Over Load	Typical 120-140% of rating load
Over Temperature	Installed by NTC

General

Efficiency	Typical 91.5% (depending on model)
Switching Frequency	85KHz
Dielectric Withstand	IEC60601-1 and IEC60950-1
Circuit Topology	LLC Circuit
Transient Response	Output voltage returns in less than 3mS following a 25% load change
Remote ON/OFF	Available
Power Density	9.4W / Cubic Inch
Construction	PCB and Box format optional

Environmental

Operating Temperature	-20°C to +70°C derate from 100% (Refer to derating chart) load at +50°C to 60% at +70°C
Storage Temperature	-25°C to +85°C
Cooling	Convection-cooled
Operating Humidity	10-95% RH, non-condensing
Storage Humidity	5-95% RH

Safety/EMC

Emissions (conducted)	CISPR EN55011/22 and FCC Class B
Harmonic Current	IEC61000-3-2
Safety Standard	IEC60601-1 Class I and Class II IEC60950-1 Class I and Class II

Notes:

- (1) All measurements are at nominal input, full load, and +25°C unless otherwise specified.
- (2) Load regulation is measured at 115VAC or 230VAC in percentage to indicate the change in output voltage as the load varied from half load to full load (±%).
- (3) The power supply is considered a component installed into a final equipment. The final equipment must be re-confirmed that it still meets EMC directives.
- (4) Due to requests in market and advances in technology, specifications subject to change without notice.

Output voltage & current rating chart

Single Output

Model No. (refer to note 1)	V1 ★ @ (refer to note 2)				Fan Output (refer to note 2)			
	Min	Typ.	Volt.	Max.	Min.	Typ.	Volt.	Max.
HICM100G-S120830-C1P	0A	8.3A	12V	8.3A	0A	0.5A	12V	0.5A
HICM100G-S120830-C1B	0A	6.6A	12V	6.6A	0A	0.5A	12V	0.5A
HICM100G-S120830-C2P	0A	8.3A	12V	8.3A	0A	0.5A	12V	0.5A
HICM100G-S120830-C2B	0A	6.6A	12V	6.6A	0A	0.5A	12V	0.5A
HICM100G-S150670-C1P	0A	6.7A	15V	6.7A	0A	0.5A	12V	0.5A
HICM100G-S240420-C1P	0A	4.2A	24V	4.2A	0A	0.5A	12V	0.5A
HICM100G-S240420-C2P	0A	4.2A	24V	4.2A	0A	0.5A	12V	0.5A
HICM100G-S480210-C1P	0A	2.1A	48V	2.1A	0A	0.5A	12V	0.5A

Symbol: ★ "OVP" built-in "@ " Adjustable

Notes: (1) Please add suffix to model number to define IEC protection classes: add "-C1" for Class I version (with AC-GND), and "-C2" for Class II version (without AC GND).
Please add suffix to model number to define type: add "-B" for enclosure (metal box) version, and "-P" for PCB version.

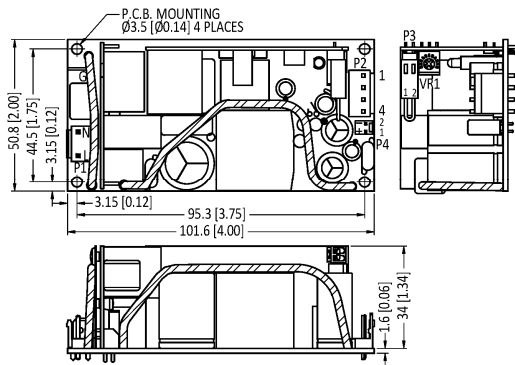
For example: HICM100G-S120830-C1P is for Class I and PCB version; HICM100G-S120830-C2B is for Class II and enclosure (metal box) version.

(2) Derate output power by 20% for enclosure (Metal Box) version.

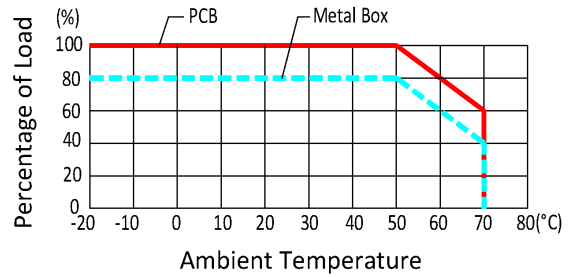
(3) Other output voltages are available. Please contact sales for details

Mechanical Dimensions (Note: All dimensions are in mm[inch])

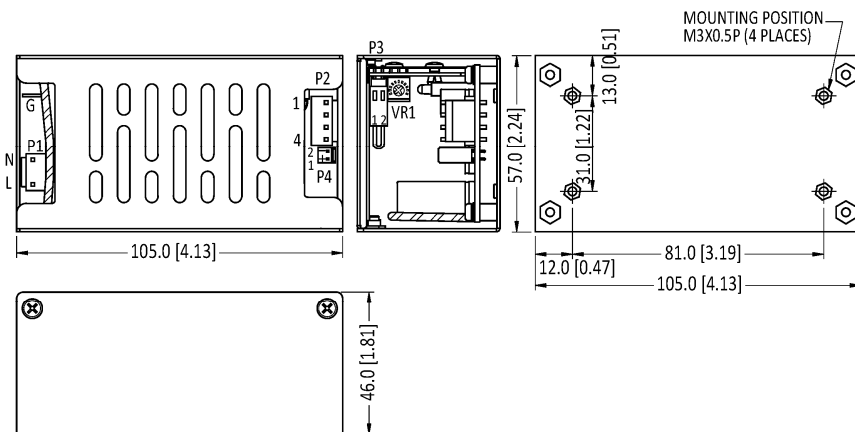
Weight: 762 g



Derating Chart



Note: Derate output power by 20% for enclosure (Metal Box) version.



Pin assignment

Assignment	Pin No. Class I	Pin No. Class II
AC-Line	P1-L	P1-L
AC-Neutral	P1-N	P1-N
AC-Ground	GND	NC
V1	P2-1.2	P2-1.2
DC COM	P2-3.4	P2-3.4
FAN +	P4-1	P4-1
FAN -	P4-2	P4-2
Remote ON	P3-1	P3-1
RTN	P3-2	P3-2