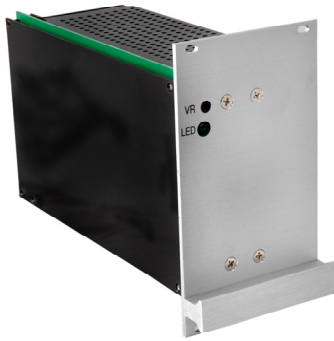


# HiTRON

## **AUTO-RANGING AC INPUT AC-DC 19" COMPATIBLE EUROCARD SINGLE OUTPUT 160 WATTS SWITCHING MODE POWER SUPPLIES HSU160 SERIES**



### **FEATURES:**

- **AUTO-RANGING AC INPUT**
- **19" COMPATIBLE EUROCARD FORMAT**
- **MEET THE SAFETY STANDARDS**
- **EMI MEET CISPR PUB. 22 & FCC CLASS B**
- **CE MARKING COMPLIANCE**
- **3U X 14HP X 160MM VMEbus STANDARD**

### **SPECIFICATION**

#### **INPUT SPECIFICATION**

**Input Voltage:** Auto-ranging 115Vac(90-132Vac) and 230Vac(180-264Vac).  
Transient threshold typ. 150Vac.

**Input Connector:** DIN 41612 at rear.

**Input Frequency:** 47-63Hz.

**Inrush Current:** Typ. 40.0A @ 230Vac.

**Input Current:** Typ. 2.2A/115Vac & 1.1A/230Vac.

**Dielectric Withstand:** Meet IEC 60950-1.

**EMI:** Meet CISPR PUB. 22 & FCC Class B.

**Hold-up Time:** Typ. 45mS @115Vac/50mS @230Vac.

**Earth leakage:** Typ. 0.45mA @230Vac.

#### **OUTPUT SPECIFICATION**

**Output Voltage:** See Ratings Chart.

**Output Current:** See Ratings Chart.

**Output Wattage:** Typ. 160 Watts.

**Output Connector:** DIN 41612 at rear.

**Line Regulation:** Typ. 0.1%.

**Load Regulation:** Main VO1 typ.  $\pm 0.5\%$ .

**Noise & Ripple:** Typ. 1% peak to peak.

**OVP:** Built-in at main VO1 (crowbar).

**Adjustability:** Available at main output VO1.

**Remote Sense:** Installed in main VO1.

**Overload Protection (OLP):** Fully protected against output overload and short circuit.  
Consult the factory for OLP setting.

#### **GENERAL SPECIFICATION**

**Efficiency:** Typ. 80.0-85.0%.

**Switching Frequency:** Typ. 77K Hz.

**Circuit Topology:** Forward circuit.

**Transient Response:** Output voltage returns in less than 1.5mS following a 25% load change.

**Safety Standard:** IEC 60950-1/UL 60950-1 Class I.

**Power Density:** 2.20 Watts / Cubic Inch.

**Operating Temperature:** 0 to +50°C at full load.  
Derates linearly to +70°C at half load.

**Storage Temperature:** -20 to +85°C.

**Temperature Coefficient:** Typ. 0.04%/°C.

**Cooling:** Free air convection.

**Construction format:** 14HP(TE) x 3U compatible Eurocard VMEbus standard.

Note: Due to requests in market and advances in technology, specifications subject to change without notification.



In application

## OUTPUT VOLTAGE / CURRENT RATINGS CHART

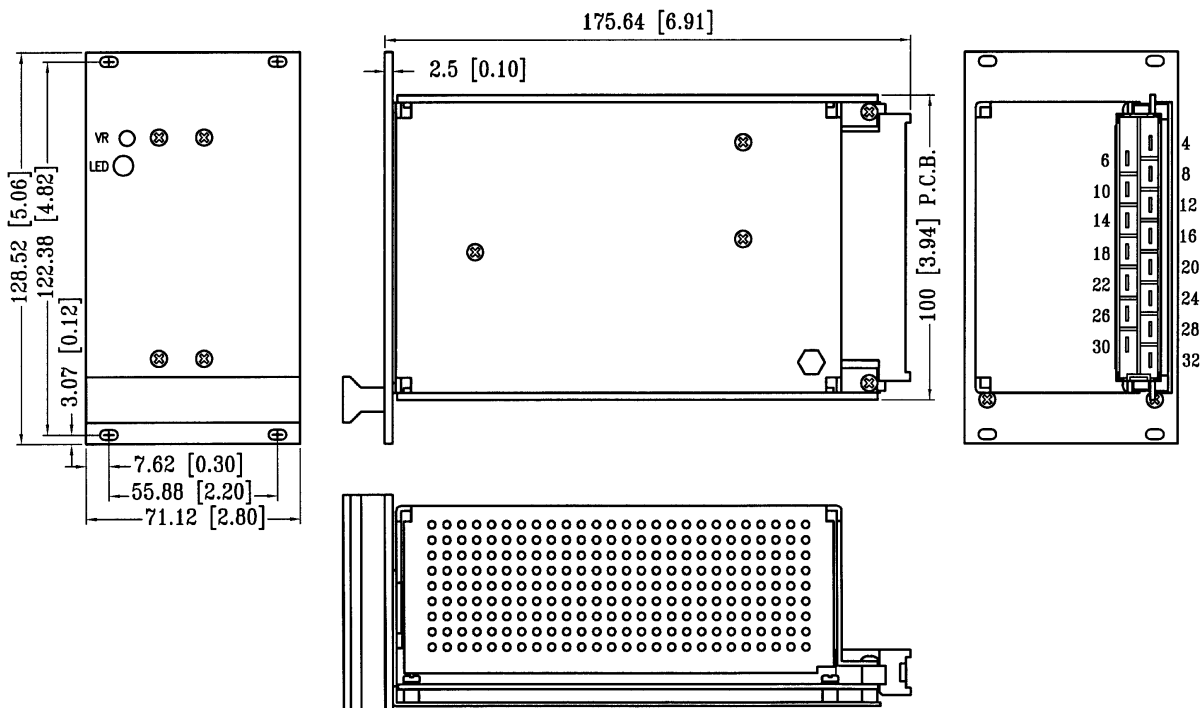
### SINGLE OUTPUT

| MODEL NO. | MAIN VO1 ★@# |       |
|-----------|--------------|-------|
|           | Typ.         | Volt. |
| HSU160-10 | 30.0A        | 5.0V  |
| HSU160-11 | 12.5A        | 12.0V |
| HSU160-12 | 10.0A        | 15.0V |
| HSU160-13 | 6.2A         | 24.0V |
| HSU160-14 | 5.3A         | 28.0V |
| HSU160-15 | 3.2A         | 48.0V |

Symbols: "★" OVP built-in. "@" Adjustable. "#" Remote Sense.

### MECHANICAL DIMENSIONS: MM [INCHES]

**WEIGHT:** 1.08 kg (2.38 lb.)



### INPUT & OUTPUT CONNECTORS PIN ASSIGNMENTS

| ASSIGNMENT       | AC INPUT |            |           | SINGLE OUTPUT |        |                | ASSORTED SIGNAL |        |
|------------------|----------|------------|-----------|---------------|--------|----------------|-----------------|--------|
|                  | AC LINE  | AC NEUTRAL | AC-GROUND | VO1           | DC COM | NC             | +SENSE          | -SENSE |
| CONNECTOR & PIN# | 26,28    | 30         | 32        | 4,6           | 12,14  | 16,18,20,22,24 | 8               | 10     |

Mating connector: DIN41612-H15 Female