

Country of Origin : China  
 Operating Temperature : 0~40 [°C]  
 Dimension : 92.5 x 49.5 x 32.5 [mm]  
 Efficiency level (ErP) :  
 Approvals / Marks :



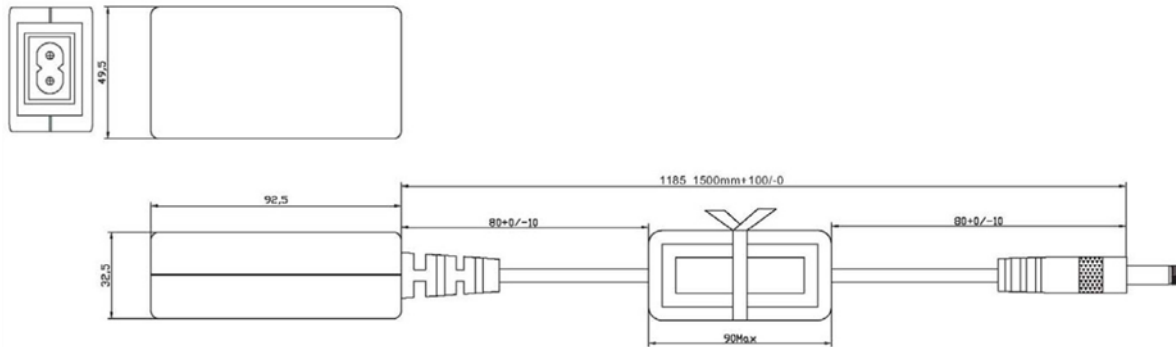
**Features:**

Wide range Input (90 ~ 264)VAC / (47 ~ 63) Hz.	Over load, over voltage & short protection.
Designed and certified also for IEC320-C13 cable & inlet C14 (T3).	National deviations and group differences consider for:
For I.T.E. use only + RoHS conform.	AU, CA, DE, DK, FI, FR, GB, IT, JP, KR, NL, NO, PL, SE, SI, US

**Specification:**

	Model	Voltage DC [V]	Loading [A]	Tol. [V]	OCP [A]	OVP [V] max	Efficiency [%]	Max. Power [W]	Ripple & Noise [mV]p-p	Connector UL approved [mm]	
ErP V.	SYS1002-2005-T2	5	0.05~4	4.60~5.40	4.5~8.5	6.0~10.0	≥78.4	20	120	2.1x5.5x11	
	SYS1002-2406-T2	6	0.05~4	5.70~6.30	4.2~8.5	6.6~10.2	≥79.8	24	120	2.1x5.5x11	
	SYS1002-2709-T2	9	0.05~3	8.55~9.45	3.5~7.5	9.9~13.8	≥82.8	27	120	2.1x5.5x11	
OEM Production	This model has been designed and certified for :				Uout=(4.2~7.5)V / max Pout=24W or Iout=4A Uout=(7.6~10.5)V / max Pout=27W or Iout=3A Uout=(10.6~16.0)V / max Pout=30W or Iout=2.5A Uout=(16.1~24.0)V / max Pout=30W or Iout=1.8A						
INPUT	Voltage	(90 ~ 264) VAC									
	Frequency	(47 ~ 63) Hz									
	Current	1,2A rms@ 100V AC and DC output full load									
	Surge Current max.	40/60Amax. @ power supply cold start, ambient temperature 25°C @115Vac/230Vac nominal AC input.									
	Leakage current	0.25mA Max.									
PROTECTION	Over load	OCP	The power supply shall be self-recovering when the fault condition is removed.								
	Over Voltage	OVP	The power supply shall be self-recovering when the fault condition is removed.								
	Short Circuit	Automatic recovery									
	Protection class	II.									
OTHERS	Dielectric Strength	I/P-O/P (FG): 3KVAC / 10mA / 1 min									
	Turn on delay	5000 ms max. @ AC low line input @ output full load									
	Hold-up Time	10ms @ AC nominal Input and Output full load (1 half cycle)									
	MTBF Qualification	50K hours full rated load operation at 25°C, according to the MIL-STD-217F.									
	DC cable & connector	1185#16AWG*2C/1.5M PVC BLACK 80°C & 5.5*2.1*11mm/180° or depends on request									
	Efficiency (typical)	The efficiency shall be higher than ≥78.4% typical while measuring at nominal line and maximum load. (EUP 2)									
	Power Consumption	The input power should less than ≤0.3W with output no load at 115VAC/230VAC input.									
	Burn-in	2h									
ENVIRONMENT	Temperature	Operating: (0 ~ 40)°C / Storage: (-20 ~ 80)°C									
	Humidity	Operating: (10 ~ 90)% RH / Storage: (20 ~ 90)% RH non condensing									
<b>SAFETY</b>	<b>CE   TUV/GS   CB   cULus   C-TICK   FCC   VCCI</b>										
EMC	EMI	FCC part 15 CLASS B , EN55022,CLASS B									
	EMS	IEC 60950-1 :2005(2nd Edition)   EN 60950-1 :2006   EN 60590-1/A11 :2009									
WEIGHT	1pc	N.W.: 181g / pc   G.W.: 207g									
		0.42 x 0.27 x 0.31 [m]									
PACKING	Box	60 pcs / 1box									
		G.W.: 11.5kg / box									

**Mechanical case specification:**



**Cable specification:**

1185#16AWG\*2C/1.5M PVC BLACK 80°C (round cable)

