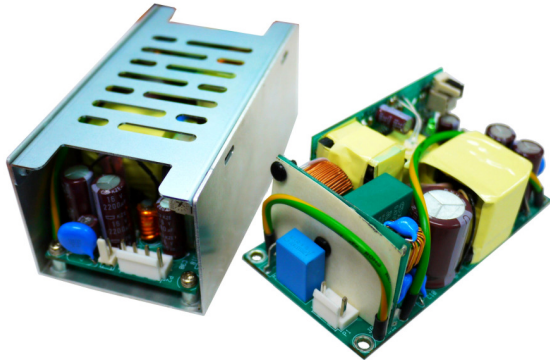


# HiTRON

**Universal input AC-DC Medical and ITE application open frame  
internal switching convection-cooled power supplies  
100 Watts green power single output HICM100G series**



## Features

- 4x2 inch Compact size
- Convection cooling
- Up to 90% high efficiency
- -20 °C to +70 °C wide operating temperature
- PCB and Box format optional
- Medical and ITE application
- Class I and Class II applications



## Specification

### Input

<b>Input Voltage</b>	90-264VAC
<b>Input Frequency</b>	47-63Hz
<b>Input Current</b>	Typical 0.97A at 115VAC Typical 0.52A at 230VAC
<b>Inrush Current</b>	Typical 15A rms at 230VAC
<b>Power Factor</b>	Typical 0.92 at 230VAC
<b>Input Connector</b>	V-H connector or equivalent
<b>Earth Leakage Current</b>	Less than 0.3mA
<b>Enclosure Leakage</b>	Less than 0.1mA
<b>No-load Power</b>	Less than 0.6W

### Output

<b>Output Connector</b>	V-H connector or equivalent
<b>Line Regulation</b>	Typical 0.1%
<b>Load Regulation</b>	Typical ±1%
<b>Total Regulation</b>	Typical ±3%
<b>Noise &amp; Ripple</b>	Typical 1% peak to peak
<b>Adjustability</b>	Available
<b>Hold-up Time</b>	Typical 17.5mS at 115/230VAC

### Protection

<b>Over Voltage</b>	Built-in (Latch)
<b>Over Current</b>	Built-in
<b>Over Load</b>	Typical 120-140% of rating load
<b>Over Temperature</b>	Installed by NTC

### General

<b>Efficiency</b>	Typical 91.5% (depending on model)
<b>Switching Frequency</b>	85KHz
<b>Dielectric Withstand</b>	IEC60601-1 and IEC60950-1
<b>Circuit Topology</b>	LLC Circuit
<b>Transient Response</b>	Output voltage returns in less than 3mS following a 25% load change
<b>Remote ON/OFF</b>	Available
<b>Power Density</b>	9.4W / Cubic Inch
<b>Construction</b>	PCB and Box format optional

### Environmental

<b>Operating Temperature</b>	-20°C to +70°C derate from 100% (Refer to derating chart) load at +50°C to 60% at +70°C
<b>Storage Temperature</b>	-25°C to +85°C
<b>Cooling</b>	Convection-cooled
<b>Operating Humidity</b>	10-95% RH, non-condensing
<b>Storage Humidity</b>	5-95% RH

### Safety/EMC

<b>Emissions (conducted)</b>	CISPR EN55011/22 and FCC Class B
<b>Harmonic Current</b>	IEC61000-3-2
<b>Safety Standard</b>	IEC60601-1 Class I and Class II IEC60950-1 Class I and Class II

#### Notes:

- (1) All measurements are at nominal input, full load, and +25°C unless otherwise specified.
- (2) Load regulation is measured at 115VAC or 230VAC in percentage to indicate the change in output voltage as the load varied from half load to full load (±%).
- (3) The power supply is considered a component installed into a final equipment. The final equipment must be re-confirmed that it still meets EMC directives.
- (4) Due to requests in market and advances in technology, specifications subject to change without notice.

# Output voltage & current rating chart

## Single Output

Model No. (refer to note 1)	V1 ★ @ (refer to note 2)				Fan Output (refer to note 2)			
	Min	Typ.	Volt.	Max.	Min.	Typ.	Volt.	Max.
HICM100G-S120830-C1P	0A	8.3A	12V	8.3A	0A	0.5A	12V	0.5A
HICM100G-S120830-C1B	0A	6.6A	12V	6.6A	0A	0.5A	12V	0.5A
HICM100G-S120830-C2P	0A	8.3A	12V	8.3A	0A	0.5A	12V	0.5A
HICM100G-S120830-C2B	0A	6.6A	12V	6.6A	0A	0.5A	12V	0.5A
HICM100G-S150670-C1P	0A	6.7A	15V	6.7A	0A	0.5A	12V	0.5A
HICM100G-S240420-C1P	0A	4.2A	24V	4.2A	0A	0.5A	12V	0.5A
HICM100G-S240420-C2P	0A	4.2A	24V	4.2A	0A	0.5A	12V	0.5A
HICM100G-S480210-C1P	0A	2.1A	48V	2.1A	0A	0.5A	12V	0.5A

Symbol: ★ "OVP" built-in "@ " Adjustable

Notes: (1) Please add suffix to model number to define IEC protection classes: add "-C1" for Class I version (with AC-GND), and "-C2" for Class II version (without AC GND). Please add suffix to model number to define type: add "-B" for enclosure (metal box) version, and "-P" for PCB version.

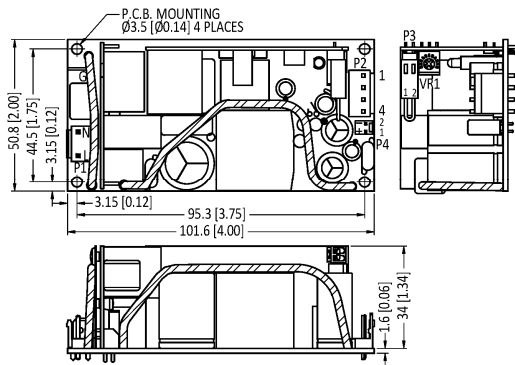
For example: HICM100G-S120830-C1P is for Class I and PCB version; HICM100G-S120830-C2B is for Class II and enclosure (metal box) version.

(2) Derate output power by 20% for enclosure (Metal Box) version.

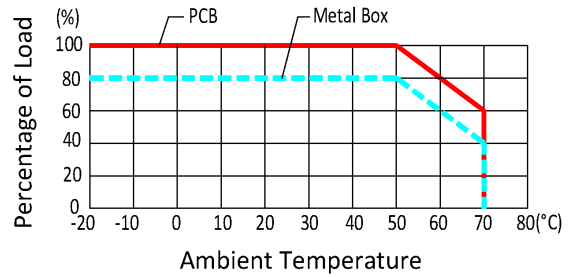
(3) Other output voltages are available. Please contact sales for details

## Mechanical Dimensions (Note: All dimensions are in mm[inch])

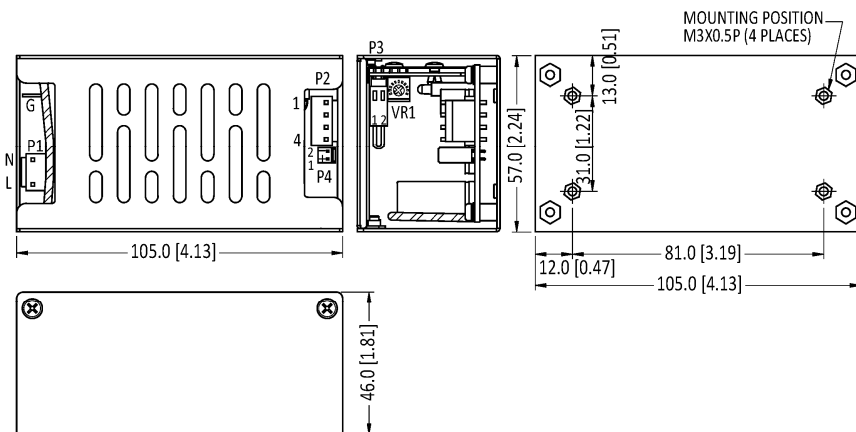
Weight: 762 g



## Derating Chart



Note: Derate output power by 20% for enclosure (Metal Box) version.



## Pin assignment

Assignment	Pin No. Class I	Pin No. Class II
AC-Line	P1-L	P1-L
AC-Neutral	P1-N	P1-N
AC-Ground	GND	NC
V1	P2-1.2	P2-1.2
DC COM	P2-3.4	P2-3.4
FAN +	P4-1	P4-1
FAN -	P4-2	P4-2
Remote ON	P3-1	P3-1
RTN	P3-2	P3-2