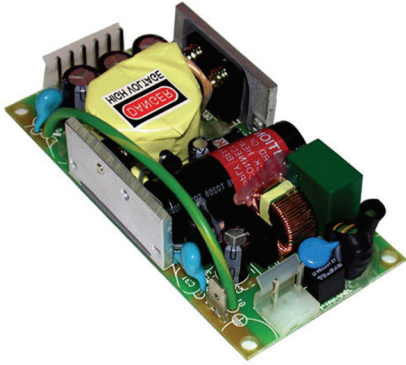


HiTRON

UNIVERSAL INPUT AC-DC MEDICAL APPLICATION INTERNAL OPEN FRAME SWITCHING POWER SUPPLIES 60 WATTS SINGLE OUTPUT HMI63 SERIES



FEATURES:

- ACCOMMODATE UNIVERSAL AC INPUT
- COMPACT 4"x2"x1" PCB FORMAT
- MEET MEDICAL STANDARD IEC 60601-1
- EMI MEET EN 55011 / FCC CLASS B
- CE MARKING COMPLIANCE

SPECIFICATION

INPUT SPECIFICATION

Input Voltage: Range typical 90-264Vac.
Rating 100 to 240Vac.
Input Connector: Molex connector or equivalent.
Input Frequency: 47-63Hz.
Inrush Current: $\leq 12.0A$ rms cold start at 230Vac.
Input Current: Typical 0.9A at 115Vac, 0.435 at 230Vac.
Dielectric Withstand: Meet IEC 60601-1.
EMI: Meet EN 55011 / FCC Class B.
Hold-up Time: Typical 11.2mS at 115Vac,
Typical 72mS at 230Vac.
Leakage Current: Less than 0.1mA at 230Vac.

OUTPUT SPECIFICATION

Output Voltage: See Ratings Chart.
Output Current: See Ratings Chart.
Output Connector: Molex connector or equivalent.
Output Wattage: Typical 60 watts.
Line Regulation: Typical 0.1%.
Load Regulation: Typical $\pm 1.0\%$.
Noise & Ripple: Typical 1.0% peak to peak.
OVP: Built-in at main output (Latch).
Adjustability: Factory Set.
Overload Protection (OLP):
Fully protected against outputs overload and short circuit.
Typical OLP set at 105-120% of rating output power.
Consult the factory for OLP setting.

GENERAL SPECIFICATION

Efficiency: Typical 80-89.5 %. (various with output voltage).
Switching Frequency: 85KHz.
Circuit Topology: Fixed frequency flyback circuit.
Transient Response: Output voltage returns in less than
0.5mS following a 50% load change.
Safety Standard: Meet Medical standards UL 60601-1/
EN 60601-1 Class I.
Power Density: 7.5Watts / Cubic Inch.

Operating Temperature: 0 to +50 °C under forced air flow
for full load. Derate by 1.3W/°C
from 40°C to 50°C.
Storage Temperature: -20 to +85°C.
Temperature Coefficient: Typical 0.04%/°C.
Cooling: At least 5 CFM direct forward air flow is required to
achieve full rating power.
Construction: 4 x2 x1 inch PCB format.

NOTE: (1) All measurements are at nominal input, full load, and +25°C unless otherwise specified.

(2) Due to requests in market and advances in technology, specifications subject to change without notification.



For the details of safety approval, please consult the factory.

OUTPUT VOLTAGE / CURRENT RATINGS CHART

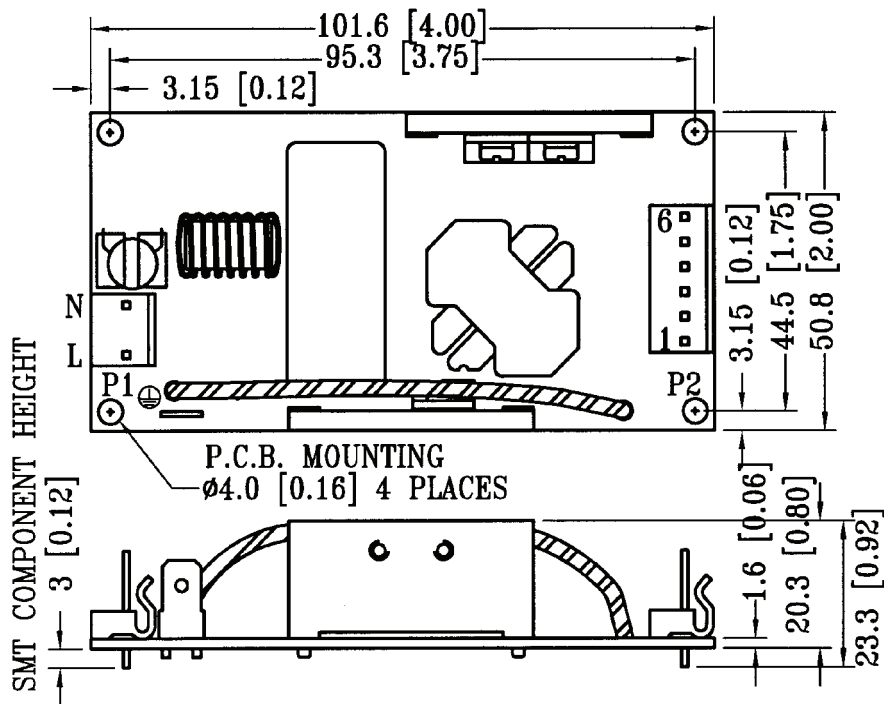
SINGLE OUTPUT

MODEL NO.	MAIN OUTPUT	
	Typ.	Volt.
HMI63-S120500	5.00A	12.0V
HMI63-S150400	4.00A	15.0V
HMI63-S240250	2.50A	24.0V
HMI63-S480125	1.25A	48.0V

Symbol: “★” OVP built-in.

MECHANICAL DIMENSIONS: MM [INCHES]

WEIGHT: 145g (5.12 Oz.)



INPUT & OUTPUT CONNECTORS PIN ASSIGNMENT

ASSIGNMENT CNTR/PIN#	AC INPUT			SINGLE OUTPUT	
	AC-L	AC-N	AC-G	VO1	DC COM
	P1-L	P1-N	G	P2-1,2	P2-3,4

Mating connector: P1,2 Molex # 5195 or 5239 series.