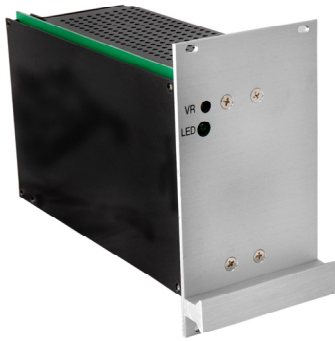


HiTRON

AUTO-RANGING AC INPUT AC-DC 19" COMPATIBLE EUROCARD SINGLE OUTPUT 160 WATTS SWITCHING MODE POWER SUPPLIES HSU160 SERIES



FEATURES:

- **AUTO-RANGING AC INPUT**
- **19" COMPATIBLE EUROCARD FORMAT**
- **MEET THE SAFETY STANDARDS**
- **EMI MEET CISPR PUB. 22 & FCC CLASS B**
- **CE MARKING COMPLIANCE**
- **3U X 14HP X 160MM VMEbus STANDARD**

SPECIFICATION

INPUT SPECIFICATION

Input Voltage: Auto-ranging 115Vac(90-132Vac) and 230Vac(180-264Vac).
Transient threshold typ. 150Vac.

Input Connector: DIN 41612 at rear.

Input Frequency: 47-63Hz.

Inrush Current: Typ. 40.0A @ 230Vac.

Input Current: Typ. 2.2A/115Vac & 1.1A/230Vac.

Dielectric Withstand: Meet IEC 60950-1.

EMI: Meet CISPR PUB. 22 & FCC Class B.

Hold-up Time: Typ. 45mS @115Vac/50mS @230Vac.

Earth leakage: Typ. 0.45mA @230Vac.

OUTPUT SPECIFICATION

Output Voltage: See Ratings Chart.

Output Current: See Ratings Chart.

Output Wattage: Typ. 160 Watts.

Output Connector: DIN 41612 at rear.

Line Regulation: Typ. 0.1%.

Load Regulation: Main VO1 typ. $\pm 0.5\%$.

Noise & Ripple: Typ. 1% peak to peak.

OVP: Built-in at main VO1 (crowbar).

Adjustability: Available at main output VO1.

Remote Sense: Installed in main VO1.

Overload Protection (OLP): Fully protected against output overload and short circuit.
Consult the factory for OLP setting.

GENERAL SPECIFICATION

Efficiency: Typ. 80.0-85.0%.

Switching Frequency: Typ. 77K Hz.

Circuit Topology: Forward circuit.

Transient Response: Output voltage returns in less than 1.5mS following a 25% load change.

Safety Standard: IEC 60950-1/UL 60950-1 Class I.

Power Density: 2.20 Watts / Cubic Inch.

Operating Temperature: 0 to +50°C at full load.
Derates linearly to +70°C at half load.

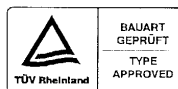
Storage Temperature: -20 to +85°C.

Temperature Coefficient: Typ. 0.04%/°C.

Cooling: Free air convection.

Construction format: 14HP(TE) x 3U compatible Eurocard VMEbus standard.

Note: Due to requests in market and advances in technology, specifications subject to change without notification.



In application

OUTPUT VOLTAGE / CURRENT RATINGS CHART

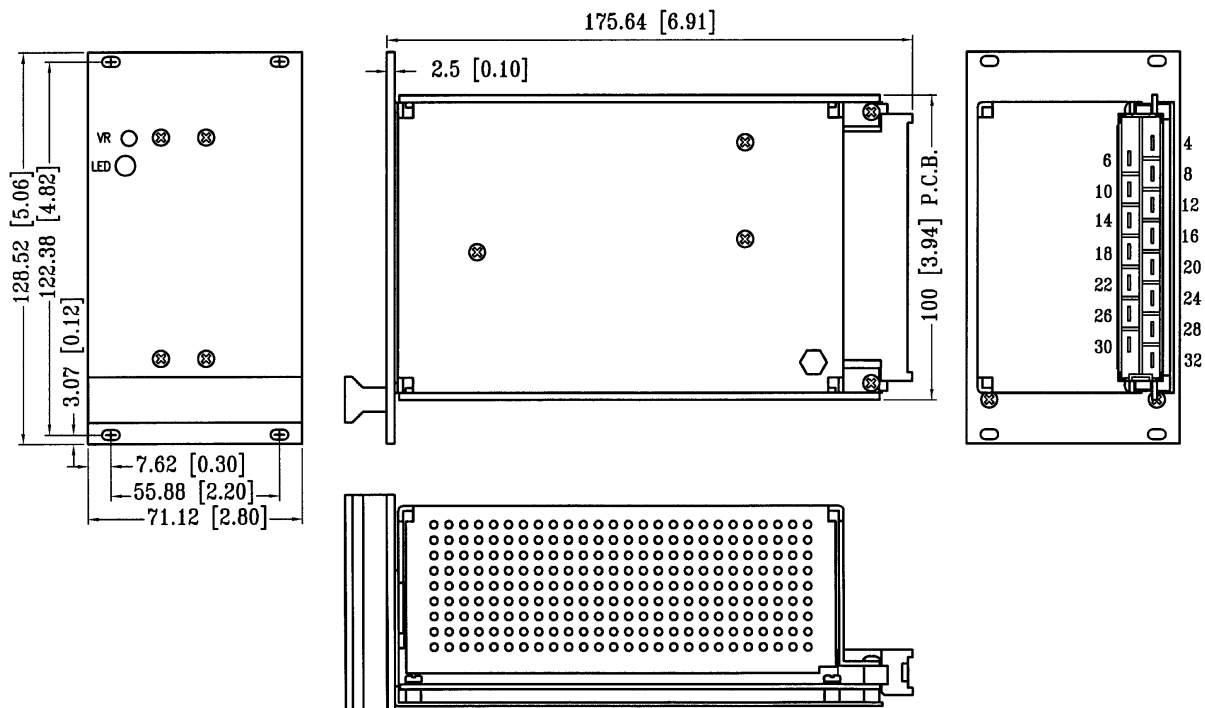
SINGLE OUTPUT

MODEL NO.	MAIN VO1 ★@#	
	Typ.	Volt.
HSU160-10	30.0A	5.0V
HSU160-11	12.5A	12.0V
HSU160-12	10.0A	15.0V
HSU160-13	6.2A	24.0V
HSU160-14	5.3A	28.0V
HSU160-15	3.2A	48.0V

Symbols: "★" OVP built-in. "@" Adjustable. "#" Remote Sense.

MECHANICAL DIMENSIONS: MM [INCHES]

WEIGHT: 1.08 kg (2.38 lb.)



INPUT & OUTPUT CONNECTORS PIN ASSIGNMENTS

ASSIGNMENT	AC INPUT			SINGLE OUTPUT			ASSORTED SIGNAL	
	AC LINE	AC NEUTRAL	AC-GROUND	VO1	DC COM	NC	+SENSE	-SENSE
CONNECTOR & PIN#	26,28	30	32	4,6	12,14	16,18,20,22,24	8	10

Mating connector: DIN41612-H15 Female