





Country of Origin : China
 Operating Temperature : 0~40 [°C]
 Dimension : 108x46x30 [mm]
 Suitable cable : IEC320-C7
 Efficiency level (ErP) : 
 Approvals / Marks :   



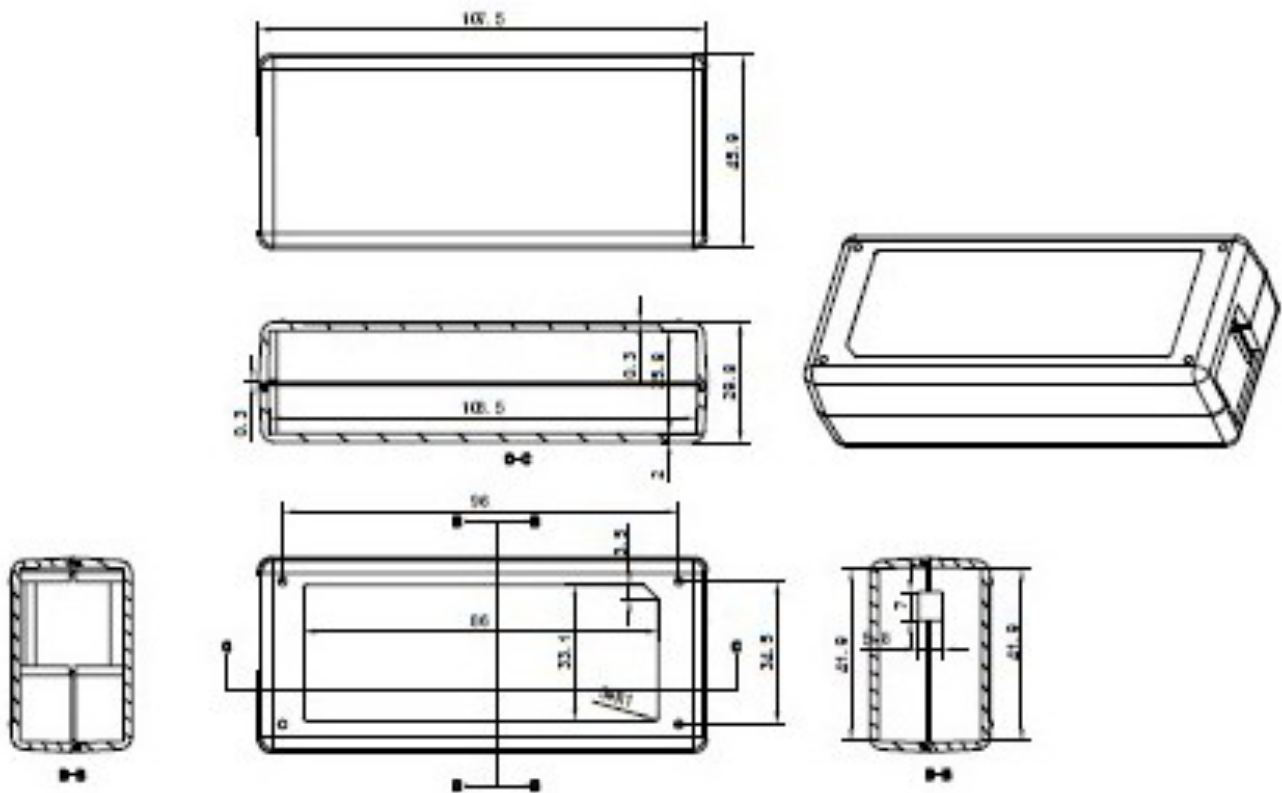
Features:

Single Output.	
Wide input voltage (90~264)VAC with IEC 320-C7	High Performance.
Overload & Short circuit protection.	For I.T.E. use only + RoHS conform.

Specification :

	Model	Voltage DC [V]	Loading [A]	Tolerance [V]	Max. Power [W]	Connector [mm]
Erp V.	STIB-7016-T2	16	0~4.37	±0.5	70	2.5x5.5x9-S
INPUT	Voltage	90Vac to 264Vac				
	Frequency	(47 ~ 63) Hz				
	Current	Maximum steady state input current is less than 1.67A rms at 100Vac input and maximum load.				
	Inrush Current	Maximum inrush current shall be less than 40A at 240Vac input.				
	Efficiency	84% Min. measured at 100Vac input voltage, maximum load and include the DC cable loss.				
PROTECTION	Over Current	The power supply shall be protected when output current over each peak current For example when the output voltage is 16V, the power supply shall be protect when the output current over 5.7A.				
	Over Voltage	The power supply shall be protected when output voltage over 26V				
	Temperature	The adapter is capable to operate from 0 to 45°C. Non-Operating from -20 to 80°C.				
	Short Circuit	Yes, The adapter is protected when a short happened between the output terminals and shall not result in a fire hazard, any damage to this adapter and will be normal operation automatically while the short is removed.				
OTHERS	Startup time	-				
	Material case	PC. Class 94V-0				
	Dielectric Withstand Voltage(HI-POT)	100% of line products of this adapter shall be applied 3000VAC or 4200VDC for a minimum of 1 minute between AC input terminals and output terminals. The cut off current is specified as 10mA.				
	Leakage Current	The measured reading is less than 0.10mA at 240 V AC,50Hz.				
ENVIRONMENT	Insulation Resistance	The resistance is more than 100MΩ at apply 500 VDC between input terminals and Case. The resistance is more than 100MΩ at apply 500 VDC between input terminals and output terminals.				
	Temperature	(0 ~ 45)°C				
CONNECTION	Humidity	10% ~ 90% RH				
	Input	Suitable cable: IEC 320-C7				
SAFETY	Output cord	6A BLACK 1.4M ± 20mm				
	CE TUV/GS					
	Safety	EN 60950-1:2006 +A11:2009 + A1:2010				
WEIGHT		N.W.: 0.264kg/pc				
PACKING	Box	50pcs / 1box				
		G.W.: 17,5 kg/box				

Mechanical case specification:



Cable specification:

